

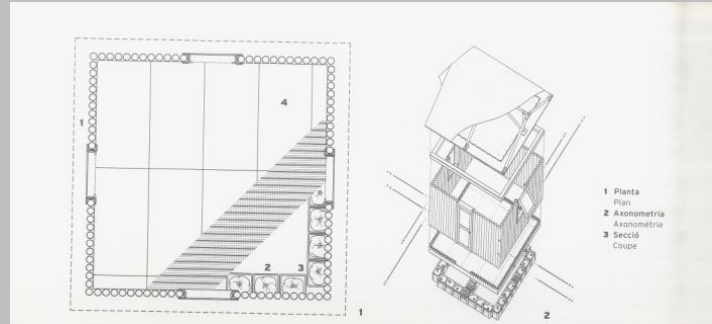
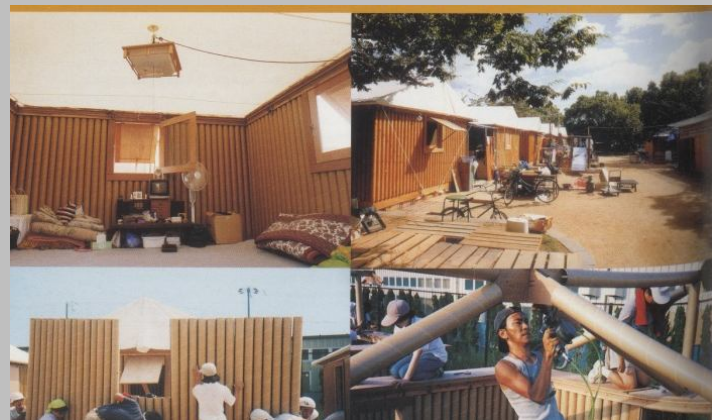
Since the nomad groups of the Paleolithic to the refuges for people affected by natural disasters, there are many types of temporary housing, that have been diversifying because of the evolution of man's way of living. Factors like mobility, economy, and changes in the before considered typical family propitiates temporary housing.

The word temporary is derived from the Latin word "temporarius" which means "of seasonal character, lasting a short time." Flexibility is described by the Princeton University WordNet database as the "not permanent, not lasting,; lacking continuity or regularity" The Webster Dictionary describes it as "intended to last, continue or serve for a limited time."

Temporary housing is the one that is design and built to be for a short period of time. It is non-permanent, not lasting, without continuity, irregular. "Non-permanent architectures, linked to a short and delimited period of time after which they disappear, are proposed as a real operative alternative that brings together the intentions and the critic, and sometimes metaphoric, sense of the activities related to permanent mobility and spatial relocation."¹

WITHOUT TRACES

It is an architecture that establishes a temporary limited relationship with the landscape, it's an event, a proposition that doesn't remain and neither modifies the place where is settled.



Paper Log House | Shigeru Ban | Japan | 1994
Refuges

PRECARIETY

Because of its fugacity, temporary housing could accept its inconsistency as a new value.

BANISHMENT AND ANOMALY

Temporary housing is not related with the site, it doesn't obey the site's laws, instead, this architecture appropriates and manipulates it. The object becomes a stranger.



Precarious

DISCONTINUITY

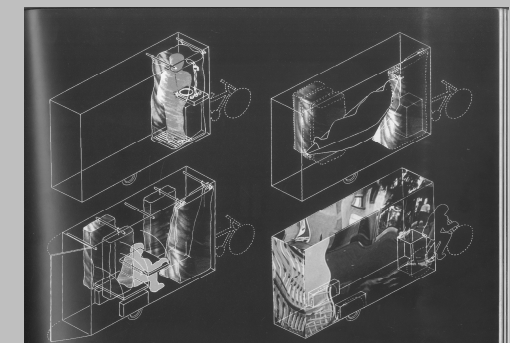
Would propose a change in the relation with the landscape, a less aggressive one. They would insert in the site without appropriating, exhausting, nor consuming it, renouncing to possessing it.



Playing Ciutat Vella | RAVEAU | Barcelona | 1998
Vacuum colonization

TEMPORARY SEGMENTS

Instead of being a line made of successive and homogeneous segments, the time that this architecture proposes is like a skein made of different threads interlaced, which allows the action's reversibility.



Habitat Furtif | ROCHE, DSV & SIE . P/B:L | France | 1998
Mobil prototypes

At the beginning of times, temporary housing was related to the conditions of the site where the nomad tribes stayed; later, when societies started to settle in a certain land, temporary housing was related with natural disasters, it became a refuge for people affected by this situations. Later, in some countries, with the high costs of housing, people without possibilities of acquiring a house occupied empty space and build their dwellings with the materials they could get. Now a days, temporary housing takes a new definition, it still responds to all the uses listed above, but also it does to the mobility that society is experiencing. In some cases, temporary housing becomes the only type of housing, because of people's constant need of change.

¹Cristina Díaz Moreno + Efrén Ga Grinda. Arquitectura Impermanent. Quaderns 224. Page 21

- Schneider, T.; Till, Jeremy. *Flexible Housing*. Elsevier Science Publishers, 2007. ISBN: 978-0-7506-8202
- Atelier Kempe Thill. *Neutralidad específica. Un manifiesto sobre la nueva vivienda colectiva*. A+t. 2002
- Eleb, Monique. *Modos de vida emergentes y hábitat*. Conferencia. Valencia. 1995.
- Quaderns Magazine. No. 224. Enero 2000
- Merriam Webster Dictionary
URL: <http://www.merriam-webster.com/dictionary/flexibility>
- Princeton University Word Database
URL: <http://wordnetweb.princeton.edu/perl/webwn?s=flexible&sub=Search+WordNet&o2=&o0=1&o7=&o5=&o1=1&o6=&o4=1&o3=&h=000>
- Plagaro, N.; Schwehr, P. *Are our buildings "fit" to resist incommensurable evolution?*. October, 2009. The Competence Centre for Typology & Foresight Planning in Architecture (CCTP) Lucerne University of Applied Sciences and Arts / Switzerland.
URL: <http://www.changingroles09.nl/uploads/File/Final.PlagaroCowee-Schwehr.pdf>
- Tuhus-Dubrow, Rebecca. *The incredible, flexible, movable house. How we could save money, time, and the environment by making homes easy to remodel*. October 26, 2008. The New York Times Company.
URL: http://web.mit.edu/cre/news/081026_globe_larson_flexible-houses.pdf